

U60 Shuttering Profile System with Magnets

Item No.: EH-U60 TYPE

Material: Neodymium Magnets, Metal Channel

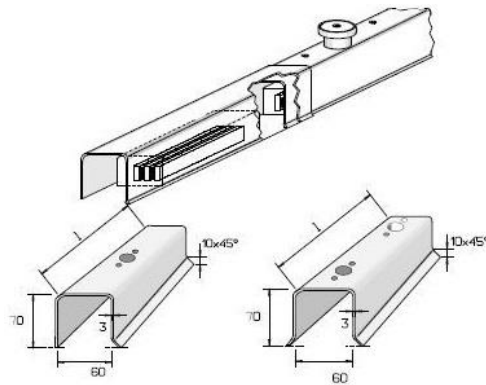
Surface Treatment: Painting or Black Oxidation Treatment

Max Working Temperature: 80°C

Description:

This Shuttering System, consist of a formwork profile with long groove and integrated neodymium magnetic assemblies, is available in all sized formwork's for moulding or demoulding, like double walls and lattice girder ceilings.

Product Details:



Specifications:

Part No.	L	W	H	Magnet	Chamfer
	mm	mm	mm	Nos.	10x45°
EHU60-500	500	60	70	1	1 or 2 side
EHU60-1000	1000	60	70	2	1 or 2 side
EHU60-2000	2000	60	70	2	1 or 2 side
EHU60-3000	3000	60	70	2	1 or 2 side
EHU60-3500	3500	60	70	2	1 or 2 side

Notes:

- ◆ Standard height: 60,65,70,75 or 80,100 mm, Standard width: 60 mm, Steel plate: 3 mm, Length : 300-4000mm
- ◆ Customized Specifications are available
- ◆ Other specifications are available for your requirements.